

LIMITED WARRANTY INFORMATION

The Shekia Group, LLC d/b/a TSG, LLC ("TSG") warrants its Forevermark Cabinetry products to be free of manufacturer defects that are avoidable, and unnatural defects in material and workmanship under normal use, for five (5) years from the date of purchase by the original consumer purchaser (except for cabinets with painted finishes, which are limited to a two (2) year warranty). This limited liability warranty applies to residential use only at the original site of installation only. This limited liability warranty is non-transferable.

This limited liability warranty does not cover or apply to any defect that is not caused by TSG. This warranty does not cover or apply to products that have been misused; mishandled; abused; improperly stored or installed; modified; or subject to excesses of moisture or extreme temperatures, abrasive or citrus cleaning products, neglect, transit damage, assembly, disassembly, intentional damage, accidents, negligence, on-site alterations, improper storage, defective installation or normal wear and tear. Any modification to the hardware structure or finish of the original consumer purchaser's cabinetry by anyone other than those specifically authorized by TSG to do so shall void this limited liability warranty. The product must be used exclusively for its intended purpose in order to be covered by this limited liability warranty. This limited liability warranty shall become void if the cabinets or any components or parts thereof are in any way modified, improperly installed or damaged prior to or during installation, or installed or used in other than normal residential applications.

This limited liability warranty does not include or cover the cost of installation, removal, subsequent damage or transportation of the allegedly defective product, regardless of whether work was performed by a contractor, a service company or the original consumer purchaser. This limited liability warranty does not apply to any products used in conjunction with the cabinetry, including but not limited to countertops, appliances or plumbing fixtures. Use of cabinetry or any components or parts thereof in any way contrary to any instructions furnished by TSG shall void this limited liability warranty.

TSG's obligation under this limited liability warranty shall be limited to the repair or replacement, at its sole discretion, of any cabinetry or any components or parts thereof that TSG deems proven defective under normal use and service within the warranty period. This limited liability warranty is limited to the repair or replacement of the allegedly defective cabinetry or components or parts thereof, and does not include or cover any other costs, including but not limited to any costs of service, labor, shipment, transportation, removal or installation related to the repair or replacement.

Forevermark Cabinetry cabinets are constructed from several pieces of solid wood and wood veneers on plywood. Differences in grain pattern and color should be expected. Wood characteristics that naturally occur, such as variations in color, grain, mineral streaks and knots, are not considered defects. Color variations and color softening in cabinets are a natural occurrence due to species, age, character of cabinets and exposure to UV light and sunlight. For these reasons, replacement cabinets may not match display samples and/or the existing cabinets in the original consumer purchaser's home. Such variations and changes are not considered defects. This limited liability warranty applies only to defects, and does not apply to the yellowing and aging of any wood product. Forevermark Cabinetry products are wood products, and extreme conditions (high/low humidity, temperature, etc.) will cause any wood product to respond adversely. Accordingly, this limited liability warranty does not apply to cabinetry exposed to extreme conditions. Please note that newly produced cabinets will never be the same color as aged cabinets. TSG reserves the right to inspect any alleged defects in the field to determine if the product should be repaired in the field or in the factory, or replaced, if at all.

Mitered door joints in particular are likely to react to conditions of their environment. Gaps that may develop in door joints due to conditions of their environment are not included or covered by this limited liability warranty. This limited liability warranty does not cover or apply to hairline cracks of cabinetry; hairline cracks are unavoidable in wood cabinets given the nature of the material. Every species and grade of solid wood behaves in such a way as to eventually result in hairline cracks. Painted finishes react differently than stained finish with normal wood movement, and climatic conditions may result in breaks in finish, recesses and joint and panel lines. These conditions are considered a normal occurrence and are not included or covered by this limited liability warranty. Cabinet doors that are warped must be allowed to hang through one seasonal heating cycle (i.e., through a full summer) before replacement will be considered by TSG under this limited liability warranty. Doors that are warped in either direction not exceeding one-quarter inch (1/4") do not exceed normal material expectation and are not included or covered by this limited liability warranty.

LIMITED WARRANTY INFORMATION (CONT.)

TSG periodically makes changes to its product line and specifications. If a warranty claim is presented for a discontinued or unavailable cabinet or component or part thereof, TSG will replace the cabinet or component or part thereof under warranty with a new cabinet or component or part thereof of the same style or with a similar or comparable style currently offered by TSG. Some replacement cabinets and components and parts thereof are subject to availability, and may differ from those originally supplied. TSG is not responsible for replacement product that may not exactly match installed product, and is not obligated to inform original consumer purchasers of the discontinuance of or changes to product lines and specifications or to make similar changes in all products previously manufactured. Material changes are not a valid reason for an original consumer purchaser to refuse replacement under this limited liability warranty.

Warranty claims cannot be made directly to TSG by the original consumer purchaser. To submit a warranty claim, the original consumer purchaser must contact the dealer or distributor from whom the Forevermark Cabinetry products were purchased and report the nature of the alleged defect. The dealer or distributor will obtain the information necessary to make a claim decision, and forward such information in writing to TSG for TSG's consideration of the claim. If the dealer or distributor is no longer functioning as a business entity, please submit your claim in writing, with proof of purchase, to:

TSG / Forevermark Cabinetry, 1130 King Georges Post Road, Edison, NJ 08837

If a manufacturing defect occurs within this limited liability warranty's terms and conditions and TSG determines to replace the defective cabinet or component or part thereof, TSG will ship the replacement cabinet or component or part thereof to the original consumer purchaser via ground shipper or freight carrier, at TSG's sole discretion.

Please do not send the allegedly defective cabinet or component or part thereof to TSG, unless and until expressly requested to do so by our claims department. Pictures of cabinets or components or parts thereof may be requested by TSG. Making a fraudulent claim may be a crime, and violators may be prosecuted.

This limited liability warranty and its enforcement, and any and all claims or disputes arising out of, relating to or in connection with this limited liability warranty or the making, performance or interpretation of this limited liability warranty, shall be (1) governed by and construed exclusively in accordance with the laws of the State of New Jersey, without regard to the conflicts of law or choice of law principles of the State of New Jersey or any other jurisdiction (including but not limited to U.S. federal law) that would require the application of the law of any other jurisdiction, and (2) brought only in the United States District Court for the District of New Jersey or the New Jersey Superior Court, Middlesex County.

THIS WRITING IS THE COMPLETE AND EXCLUSIVE REMEDY FOR ANY ORIGINAL CONSUMER PURCHASER FOR BREACH OF WARRANTY. THE STATEMENT OF THE EXPRESS WARRANTIES PROVIDED HEREIN IS IN LIEU OF ANY AND ALL OTHER EXPRESS AND/OR STATUTORY WARRANTIES, TO THE EXTENT PROVIDED BY LAW. IN NO EVENT SHALL TSG BE LIABLE FOR INCIDENTAL OR CONSEQUENTIAL DAMAGES TO ANY ORIGINAL CONSUMER PURCHASER OR A THIRD PARTY, INCLUDING BUT NOT LIMITED TO DAMAGES ARISING FROM PERSONAL INJURY, LOST PROFITS, LOSS OF BUSINESS OPPORTUNITIES, LOSS OF PROPERTY, ECONOMIC LOSS, STATUTORY OR EXEMPLARY DAMAGES, WHETHER FROM NEGLIGENCE, WARRANTY, STRICT LIABILITY OR OTHERWISE. ANY AND ALL IMPLIED WARRANTIES OF MERCHANTABILITY, FITNESS FOR A PARTICULAR PURPOSE, COURSE OF DEALING AND USAGE OF TRADE, AND ANY AND ALL OTHER WARRANTIES, EXPRESS OR IMPLIED, ARE EXCLUDED AND DISCLAIMED, EXCEPTING ONLY THOSE EXPRESS WARRANTIES SPECIFICALLY SET FORTH IN THIS LIMITED LIABILITY WARRANTY. IN NO EVENT SHALL TSG BE LIABLE FOR ANY INDIRECT DAMAGES RESULTING FROM INSTALLATION, USE OR FAILURE OF ITS PRODUCTS. THIS LIMITED LIABILITY WARRANTY IS TSG'S SOLE WARRANTY, AND NO DEALER, DISTRIBUTOR OR AGENT POSSESSES ANY AUTHORITY WHATSOEVER TO MODIFY OR ENLARGE THIS WARRANTY IN ANY WAY.



1130 King Georges Post Road
Edison, NJ 08837
www.tsgcabinets.com

CABINET LINES – DOOR STYLES



SHAKER COLLECTION



Lait Grey Shaker
(AB)

PLATINUM



Pepper Shaker
(AP)

GOLD



Ice White Shaker
(AW)

GOLD



Greystone Shaker
(AG)

PLATINUM



Nova Light Grey Shaker
(AN)

TITANIUM



XTerra Blue
(AX)

PLATINUM

TOWN COLLECTION



Uptown White
(TW)

PLATINUM



Townsquare Grey
(TS)

PLATINUM



Midtown Grey
(TG)

TITANIUM



Townplace Crema
(TQ)

TITANIUM



Vista White Shaker
(VW)

GOLD



Signature Pearl
(SL)

PLATINUM



Gramercy White
(GW)

PLATINUM

CABINET DETAILS*

	GOLD		
	VW	AP	AW
Material	Solid Wood		MDF
Style	Full Overlay, butt door		
Wall & Base	Recess Square		
Front Frame	3/4" Solid Wood		
Door Frame	3/4" Solid Wood		MDF
Door Center	MDF (Reversed raised door panel)	MDF with wood veneer	MDF
Sides (Wall & Base)	1/2" A-Grade plywood with wood veneer		
Top & Bottom (Wall)	1/2" A-Grade plywood with wood veneer		
Bottom (Base)	1/2" A-Grade plywood with wood veneer	3/8" A-Grade plywood with wood veneer	
Cabinet Interior	Natural interior finish	Matches door color	
Back Panel	1/2" Full back panel	1/2" Picture Frame recess style	
Hinges	**Concealed 6-way adjustable soft close door hinges		
Connectors	Color coated new L-shape (1pc) metal clip won't tarnish (not preinstalled)	Pre-installed, color coated metal clip, won't tarnish	
Shelves	3/4" A-Grade plywood with wood veneer		
Drawer box	Solid Wood 5/8" sides	Solid Wood 17mm (close to 3/4" T)	
	Drawer bottom 3/8" plywood		
	Drawer length 21"		
	Dovetail Construction		
	Natural finish		
Drawer Glides	Undermount, Full extension with soft closing feature		
Base Corner Supports	New color coated metal triangle corner bracket	Wood corner brackets, with wood I-beam construction	

Specifications and availability of items are subject to change without notice and TSG is not responsible for printing errors

* No center stile on cabinetry 24"W to 36"W

	PLATINUM						TITANIUM			
	AX	GW	SL	TW	AB	TS	AG	TQ	AN	TG
Material	Solid Wood							Solid Eucalyptus Grandis		
Style	Full Overlay, butt door									
Wall & Base	Raised Square			Recessed Square						
Front Frame	3/4" Solid Wood							3/4" Solid Eucalyptus Grandis		
Door Frame	3/4" Solid Wood			MDF		3/4" Solid Wood			3/4" Solid Eucalyptus Grandis	
Door Center	Solid Wood	MDF			MDF with wood veneer		MDF (Reversed raised door panel)	Solid Eucalyptus Grandis (Reversed Raised Door Panel)		
Sides (Wall & Base)	1/2" A-Grade plywood with wood veneer									
Top & Bottom (Wall)										
Bottom (Base)	3/8" A-Grade plywood with wood veneer									
Cabinet Interior	Matches door color									
Back Panel	1/2" Picture Frame recess style			WALL: 1/2" Picture Frame recess style BASE*: 1/2" FULL Back***						
Hinges	**Concealed 6-way adjustable soft close door hinges									
Connectors	Pre-installed, color coated metal clip, won't tarnish									
Shelves	***3/4" A-Grade plywood with wood veneer (TS, AB, and TQ includes metal shelf clips. ALL NEW incoming stock for ALL other styles includes metal shelf clips.)									
Drawer box	Solid Wood 17mm (close to 3/4" T)									
	Drawer bottom 1/2" plywood									
	Drawer length 21"									
	Dovetail Construction									
	Natural finish									
Drawer Glides	Undermount, Full extension with soft closing feature									
Base Corner	Wood Corner brackets, with wood I-beam									

Specifications and availability of items are subject to change without notice and TSG is not responsible for printing errors

* Applicable to most Base sizes. Certain Bases may have picture frame recess style. For an indeterminate transitional period, orders may include inventory with mixed specifications.

** No center stile on cabinetry 24"W to 36"W

*** New incoming stock includes bases with 1/2" full back panels (TW). For an indeterminate transitional period, orders may include inventory with mixed specifications.

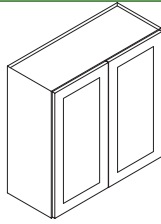
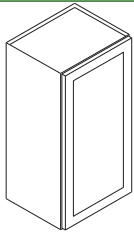




PRICING

WALL CABINETS*

WALL CABINETS*



• 24"W - 36"W WxxxxB = "B" = 2 butt doors (double door cabinet)

W1512*

W1812*

W2412B*

W0930

W1230

W1530

W1830

W2130

W2430B

W2730B

W3030B

W3330B

W3630B

W0936

W1236

W1536

W1836

W2136

W2436B

W2736B

W3036B

W3336B

W3636B

W0942

W1242

W1542

W1842

W2142

W2442B

W2742B

W3042B

W3342B

W3642B

W3012B

W3312B

W3612B

W361224B

W2415B

W3015B

W301524B

W3315B

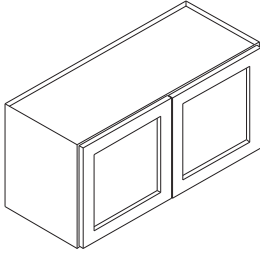
W331524B

W3615B

W361524B

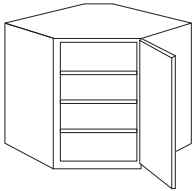
	VW	AP	AW	AX	AB	SL	GW	TW	TS	AG	AN	TG	TQ
W1512*	-	-	225	-	-	-	-	231	-	231	-	-	-
W1812*	-	-	279	-	-	-	-	288	-	288	-	-	-
W2412B*	-	-	384	-	-	-	-	399	-	399	-	-	-
W0930	324	360	360	372	372	372	372	372	372	372	417	417	417
W1230	360	399	399	411	411	411	411	411	411	411	462	462	462
W1530	393	435	435	450	450	450	450	450	450	450	504	504	504
W1830	435	483	483	498	498	498	498	498	498	498	558	558	558
W2130	528	585	585	600	600	600	600	600	600	600	672	672	672
W2430B	564	624	624	645	645	645	645	645	645	645	723	723	723
W2730B	615	681	681	702	702	702	702	702	702	702	789	789	789
W3030B	636	705	705	726	726	726	726	726	726	726	816	816	816
W3330B	684	759	759	780	780	780	780	780	780	780	876	876	876
W3630B	729	807	807	834	834	834	834	834	834	834	936	936	936
W0936	411	456	456	471	471	471	471	471	471	471	528	528	528
W1236	435	483	483	498	498	498	498	498	498	498	558	558	558
W1536	474	525	525	540	540	540	540	540	540	540	606	606	606
W1836	528	585	585	600	600	600	600	600	600	600	672	672	672
W2136	630	699	699	717	717	717	717	717	717	717	804	804	804
W2436B	672	744	744	768	768	768	768	768	768	768	861	861	861
W2736B	759	843	843	870	870	870	870	870	870	870	975	975	975
W3036B	822	912	912	939	939	939	939	939	939	939	1053	1053	1053
W3336B	873	969	969	999	999	999	999	999	999	999	1119	1119	1119
W3636B	915	1014	1014	1044	1044	1044	1044	1044	1044	1044	1170	1170	1170
W0942	459	507	507	519	519	519	519	519	519	519	582	582	582
W1242	483	534	534	549	549	549	549	549	549	549	615	615	615
W1542	525	582	582	597	597	597	597	597	597	597	669	669	669
W1842	579	642	642	663	663	663	663	663	663	663	744	744	744
W2142	699	774	774	798	798	798	798	798	798	798	894	894	894
W2442B	753	834	834	858	858	858	858	858	858	858	963	963	963
W2742B	876	972	972	1002	1002	1002	1002	1002	1002	1002	1125	1125	1125
W3042B	972	1077	1077	1110	1110	1110	1110	1110	1110	1110	1245	1245	1245
W3342B	1026	1137	1137	1170	1170	1170	1170	1170	1170	1170	1311	1311	1311
W3642B	1089	1209	1209	1248	1248	1248	1248	1248	1248	1248	1398	1398	1398
W3012B	366	405	405	417	417	417	417	417	417	417	468	468	468
W3312B	390	-	432	-	-	447	447	447	447	447	498	498	498
W3612B	411	456	456	468	468	468	468	468	468	468	525	525	525
W361224B	555	615	615	633	633	633	633	633	633	633	711	711	711
W2415B	369	408	408	417	417	417	417	417	417	417	468	468	468
W3015B	411	456	456	468	468	468	468	468	468	468	525	525	525
W301524B	-	615	615	636	636	636	636	636	636	636	714	714	714
W3315B	444	492	492	507	507	507	507	507	507	507	570	570	570
W331524B	-	648	648	-	669	669	669	669	669	669	750	750	750
W3615B	453	501	501	516	516	516	516	516	516	516	579	579	579
W361524B	615	681	681	702	702	702	702	702	702	702	789	789	789

WALL CABINETS*



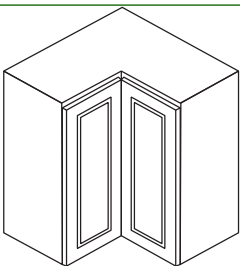
	VW	AP	AW	AX	AB	SL	GW	TW	TS	AG	AN	TG	TQ
W2418B	393	435	435	450	450	450	450	450	450	450	504	504	504
W3018B	453	501	501	516	516	516	516	516	516	516	579	579	579
W301824B	681	756	756	780	780	780	780	780	780	780	876	876	876
W3318B	483	534	534	549	549	549	549	549	549	549	615	615	615
W331824B	690	765	765	-	789	789	789	789	789	789	885	885	885
W3618B	513	570	570	585	585	585	585	585	585	585	657	657	657
W361824B	699	774	774	798	798	798	798	798	798	798	894	894	894
W2424B	504	558	558	576	576	576	576	576	576	576	648	648	648
W3024B	567	627	627	648	648	648	648	648	648	648	726	726	726
W302424B	669	741	741	765	765	765	765	765	765	765	858	858	858
W3324B	606	672	672	693	693	693	693	693	693	693	777	777	777
W332424B	711	789	789	-	816	816	816	816	816	816	915	915	915
W3624B	648	720	720	741	741	741	741	741	741	741	831	831	831
W362424B	756	837	837	864	864	864	864	864	864	864	969	969	969

WALL DIAGONAL CORNER



	VW	AP	AW	AX	AB	SL	GW	TW	TS	AG	AN	TG	TQ
WDC2412	-	-	414	-	-	-	-	426	-	426	-	-	-
WDC2430	810	900	900	927	927	927	927	927	927	927	1041	1041	1041
WDC2436	1014	1125	1125	1161	1161	1161	1161	1161	1161	1161	1302	1302	1302
WDC2442	1077	1194	1194	1233	1233	1233	1233	1233	1233	1233	1383	1383	1383
WDC273615	-	1740	1740	1755	1755	1755	1755	1755	1755	1755	1968	1968	1968
WDC274215	-	2085	2085	2100	2100	2100	2100	2100	2100	2100	2352	2352	2352

WALL CORNER CABINET

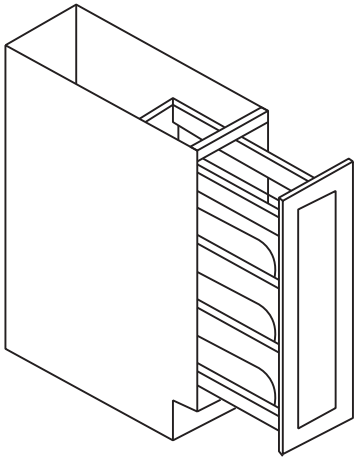


• Door is not soft closing (Bi-fold door)

	VW	AP	AW	AX	AB	SL	GW	TW	TS	AG	AN	TG	TQ
WSQ2430	1284	1425	1425	-	1425	1425	1425	1425	1425	1425	1596	1596	1596
WSQ2436	1539	1710	1710	-	1710	1710	1710	1710	1710	1710	1917	1917	1917
WSQ2442	1848	2052	2052	-	2052	2052	2052	2052	2052	2052	2301	2301	2301

WALL CABINETS (CONT.)

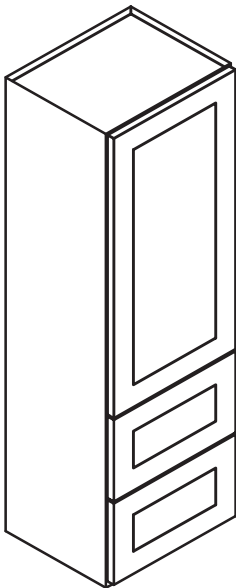
BASE - PULL OUT - WITH SPICE RACK



- Pull out door panel will match door style
- Side Mount Full Extension Drawer Track (not soft closing)
- Unit is pre-assembled
- Includes cabinet and spice rack insert (2 middle racks are adjustable)

	VW	AP	AW	AX	AB	SL	GW	TW	TS	AG	AN	TG	TQ
BFP09	-	1467	1467	1488	1488	1488	1488	1488	1488	1488	1668	1668	1668

WALL CABINET - WITH 2 BUILT-IN DRAWERS



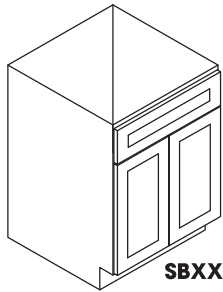
- Drawers are not soft-closing
- Glass doors are available for this unit W18XXGD (Please see pg. 32)

	VW	AP	AW	AX	AB	SL	GW	TW	TS	AG	AN	TG	TQ
W2D1848	-	-	1128	-	1128	1128	1128	1128	1128	1128	1266	1266	1266
W2D1854	-	-	1317	-	1317	1317	1317	1317	1317	1317	1476	1476	1476
W2D1860	-	-	1503	-	1503	1503	1503	1503	1503	1503	1686	1686	1686

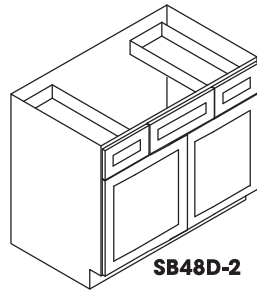


WALL CABINETS (CONT.)

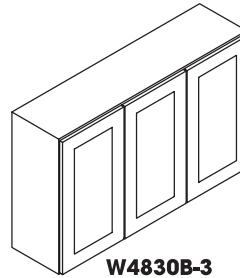
SINK BASE AND STARTER SETS*



SBXX



SB48D-2



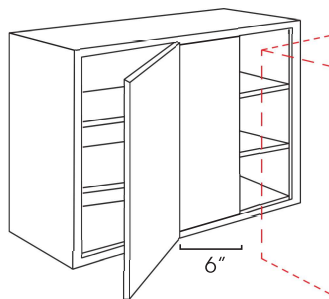
W4830B-3

• SB48 include dividers

	VW	AP	AW	AX	AB	SL	GW	TW	TS	AG	AN	TG	TQ
SB24	759	843	843	867	867	867	867	867	867	867	972	972	972
SB27B	798	885	885	909	909	909	909	909	909	909	1020	1020	1020
SB30B*	825	915	915	942	942	942	942	942	942	942	1056	1056	1056
SB33B	855	948	948	978	978	978	978	978	978	978	1098	1098	1098
SB36B	891	987	987	1011	1011	1011	1011	1011	1011	1011	1134	1134	1134
SB42	-	-	1275	-	1305	1305	1305	1305	1305	1305	1464	1464	1464

* B = butt door ** 33"W to 36"W - all styles with double headers (*30"W base with single drawer is new specification, bases may ship with 2 drawers until old inventory is phased out. Replacement and special requests will not be honored regarding drawer selection.)

WALL BLIND CORNER CABINET



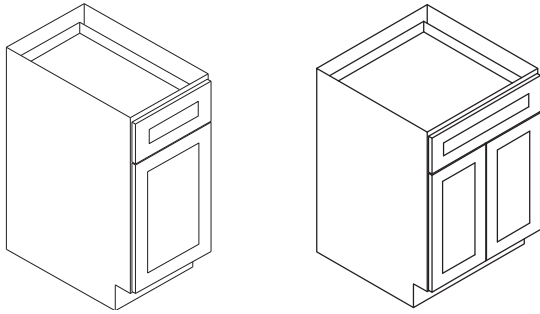
- Specify door right or left when ordering (not blind)
- WBLC30/33-30XX light modification is required (remove 1 door and install WF6)
- WBLC30/33-30XX will ship with W30XX and WF6XX (KD)
- Minimum pull 30" / Maximum pull 33"

WBLC30/33-3030
WBLC30/33-3036
WBLC30/33-3042

	VW	AP	AW	AX	AB	SL	GW	TW	TS	AG	AN	TG	TQ
WBLC30/33-3030	834	924	924	948	948	948	948	948	948	948	1062	1062	1062
WBLC30/33-3036	1101	1221	1221	1251	1251	1251	1251	1251	1251	1251	1404	1404	1404
WBLC30/33-3042	1266	1404	1404	1440	1440	1440	1440	1440	1440	1440	1614	1614	1614

BASE CABINETS*

BASE CABINETS**

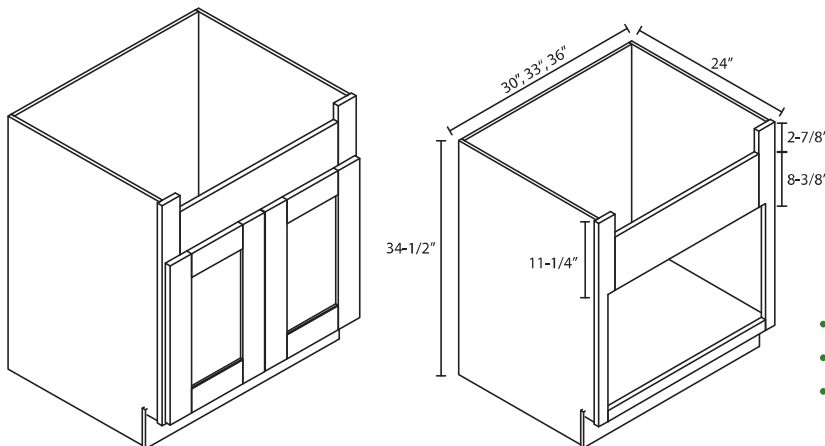


- 24"W - 36"W BxB = "B" = 2 butt doors (double door cabinet)
- Roll out trays for most base sizes available for purchase and installation (see pg. 32 & 44)
- FB09 is a base 9" with full height doors (no drawer or glide unit) **NEW!**

	VW	AP	AW	AX	AB	SL	GW	TW	TS	AG	AN	TG	TQ
FB09	513	-	567	-	597	-	597	597	597	597	672	672	672
B09	537	594	594	627	627	627	627	627	627	627	705	705	705
B12	606	672	672	708	708	708	708	708	708	708	795	795	795
B15	633	702	702	738	738	738	738	738	738	738	828	828	828
B18	663	735	735	774	774	774	774	774	774	774	867	867	867
B21	750	831	831	873	873	873	873	873	873	873	978	978	978
B24B	807	894	894	936	936	936	936	936	936	936	1050	1050	1050
B27B	867	963	963	1008	1008	1008	1008	1008	1008	1008	1131	1131	1131
B30B*	1011	1122	1122	1188	1188	1188	1188	1188	1188	1188	1332	1332	1332
B33B	1056	1173	1173	1242	1242	1242	1242	1242	1242	1242	1392	1392	1392
B36B	1104	1224	1224	1293	1293	1293	1293	1293	1293	1293	1449	1449	1449

* B = butt door ** 33"W to 36"W - all styles with double headers (*30"W base with single drawer is new specification, bases may ship with 2 drawers until old inventory is phased out. Replacement and special requests will not be honored regarding drawer selection.)

FARM SINK BASE CABINET



- Fits most farm sinks
- Board height 8-3/8
- Cut-out height 2-7/8

	VW	AP	AW	AX	AB	SL	GW	TW	TS	AG	AN	TG	TQ
FSB30B	-	-	1302	-	1341	1341	1341	1341	1341	1341	1503	1503	1503
FSB33B	-	-	1362	-	1404	1404	1404	1404	1404	1404	1575	1575	1575
FSB36B	1278	1419	1419	-	1464	1464	1464	1464	1464	1464	1641	1641	1641

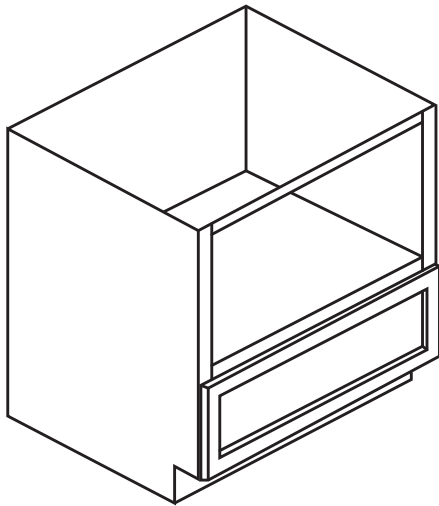
* B = butt door

BASE CABINETS* (CONT.)



Forevermark
cabinetry™

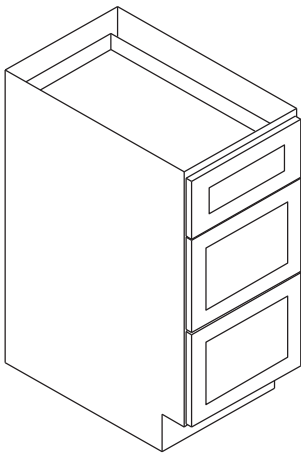
MICROWAVE BASE CABINET



- Opening: 26-7/8" W x 18" H (with 1 drawer)
- Cabinet is 30" W
- Drawer front size is 29-1/2"W x 8-13/16"H
- Different size widths are available for modification only (please see pg. 44)

	VW	AP	AW	AX	AB	SL	GW	TW	TS	AG	AN	TG	TQ
B30MW (30"W)	1041	1155	1155	-	1188	1188	1188	1188	1188	1188	1332	1332	1332

DRAWER PACK

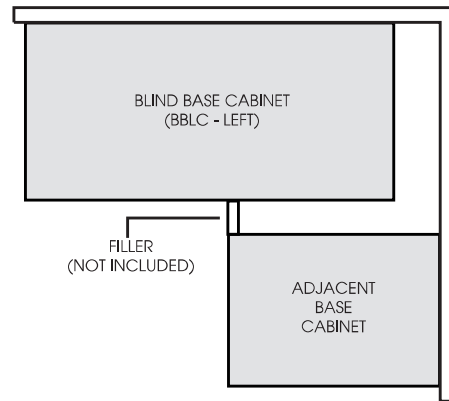
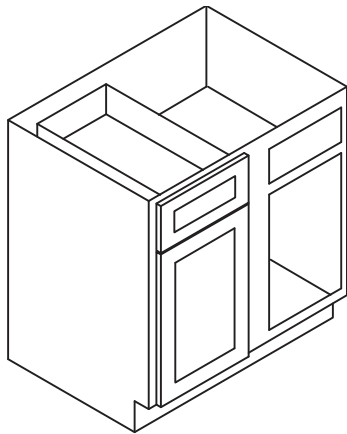


- Middle and bottom drawer are the same size.

	VW	AP	AW	AX	AB	SL	GW	TW	TS	AG	AN	TG	TQ
DB12(3)	1059	1176	1176	1257	1257	1257	1257	1257	1257	1257	1410	1410	1410
DB15(3)	1107	1227	1227	1311	1311	1311	1311	1311	1311	1311	1470	1470	1470
DB18(3)	1134	1257	1257	1344	1344	1344	1344	1344	1344	1344	1506	1506	1506
DB21(3)	1164	1293	1293	1380	1380	1380	1380	1380	1380	1380	1548	1548	1548
DB24(3)	1224	1359	1359	1449	1449	1449	1449	1449	1449	1449	1623	1623	1623
DB30(3)	2028	2253	2253	2286	2286	2286	2286	2286	2286	2286	2562	2562	2562
DB36(3)	2079	2307	2307	2361	2361	2361	2361	2361	2361	2361	2646	2646	2646

BASE CABINETS* (CONT.)

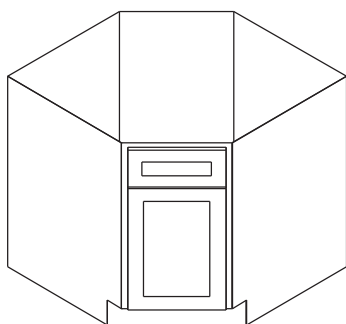
BASE BLIND CORNER



- Specify door right or door left when ordering **(NOT BLIND)**
- See page 46 for dimensions

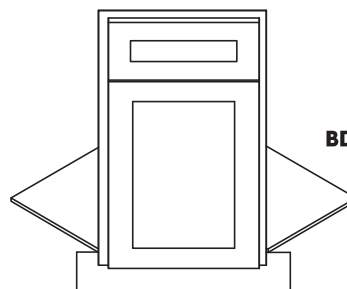
	VW	AP	AW	AX	AB	SL	GW	TW	TS	AG	AN	TG	TQ
BBLC39/42-36"W	1134	1257	1257	1311	1311	1311	1311	1311	1311	1311	1470	1470	1470
BBLC42/45-39"W	1146	1272	1272	1326	1326	1326	1326	1326	1326	1326	1488	1488	1488
BBLC45/48-42"W	1158	1284	1284	1341	1341	1341	1341	1341	1341	1341	1503	1503	1503

BASE DIAGONAL CORNER SINK



BDCF36

- BDCF36: corner sink cabinet



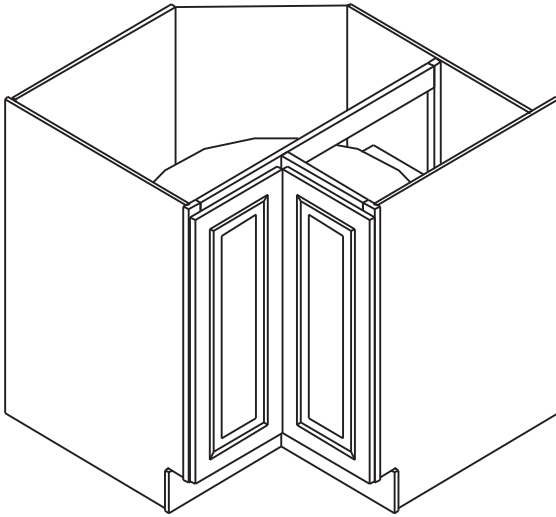
BDCF36K-FL

- BDCF36K-FL: front frame, door & drawer front, floor and toe kick only **(NOT FULL CABINET)**

	VW	AP	AW	AX	AB	SL	GW	TW	TS	AG	AN	TG	TQ
BDCF36	1473	1635	1635	1689	1689	1689	1689	1689	1689	1689	1893	1893	1893
BDCF36K-FL	444	492	492	507	507	507	507	507	507	507	570	570	570

BASE CABINETS* (CONT.)

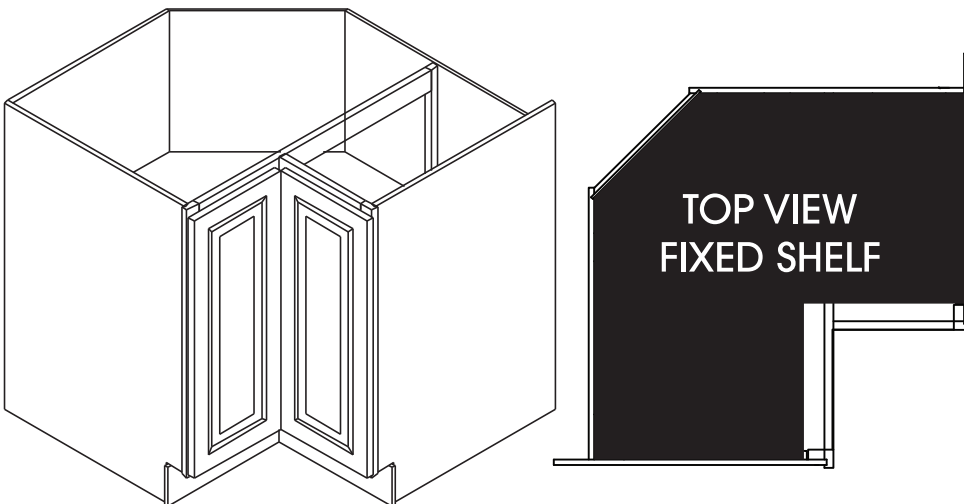
LAZY SUSAN



- LS3612: Bi-Fold door, 2 independently, spinning trays
- Not soft closing doors

	VW	AP	AW	AX	AB	SL	GW	TW	TS	AG	AN	TG	TQ
LS3309	1461	1623	1623	1677	1677	1677	1677	1677	1677	1677	1881	1881	1881
LS3612	1578	1752	1752	1812	1812	1812	1812	1812	1812	1812	2031	2031	2031

EZ REACH CABINET

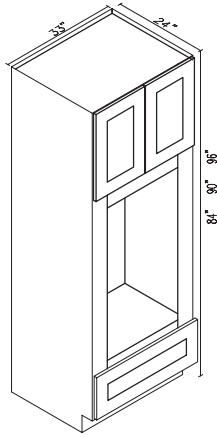
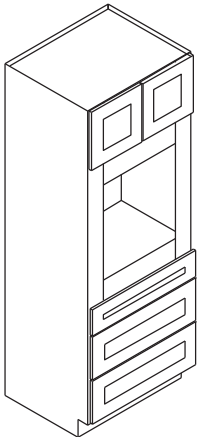


- LS3612S: Bi-Fold Door, Includes fixed shelf only (EZ reach)
- Not soft closing doors

	VW	AP	AW	AX	AB	SL	GW	TW	TS	AG	AN	TG	TQ
LS3612S (EZR3612)	1398	1551	1551	1635	1635	1635	1635	1635	1635	1635	1833	1833	1833

BASE CABINETS* (CONT.)

OVEN CABINETS



- OC33XXB opening size = 24"W x 24"H
- OM33XXB opening size = 24"W x 42"H
- Can be modified into custom opening size (assembled only). Please provide height and width of opening, additional charge applies

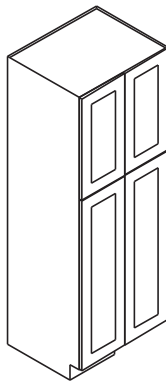
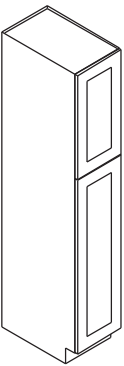
OVEN CABINET

DOUBLE OVEN/OVEN MICROWAVE CABINET

	VW	AP	AW	AX	AB	SL	GW	TW	TS	AG	AN	TG	TQ
OC3384B	-	3306	3306	3459	3459	3459	3459	3459	3459	3459	3876	3876	3876
OC3390B	-	3570	3570	3732	3732	3732	3732	3732	3732	3732	4182	4182	4182
OC3396B	-	3810	3810	3981	3981	3981	3981	3981	3981	3981	4461	4461	4461
OM3384B	-	-	3120	-	3264	3264	3264	3264	3264	3264	3657	3657	3657
OM3390B	-	-	3369	-	3522	3522	3522	3522	3522	3522	3945	3945	3945
OM3396B	-	-	3597	-	3756	3756	3756	3756	3756	3756	4209	4209	4209

* B = butt door

WALL PANTRY



- Roll out trays available for purchase and installation (see pg. 16 and 36)

	VW	AP	AW	AX	AB	SL	GW	TW	TS	AG	AN	TG	TQ
WP1584	1629	1809	1809	-	1863	1863	1863	1863	1863	1863	2088	2088	2088
WP1590	1749	1941	1941	-	2004	2004	2004	2004	2004	2004	2247	2247	2247
WP1596	1866	2073	2073	-	2142	2142	2142	2142	2142	2142	2400	2400	2400
WP1884	1824	2025	2025	2088	2088	2088	2088	2088	2088	2088	2340	2340	2340
WP1890	1959	2175	2175	2244	2244	2244	2244	2244	2244	2244	2514	2514	2514
WP1896	2091	2322	2322	2400	2400	2400	2400	2400	2400	2400	2688	2688	2688
WP2484B	2283	2535	2535	2616	2616	2616	2616	2616	2616	2616	2931	2931	2931
WP2490B	2454	2724	2724	2814	2814	2814	2814	2814	2814	2814	3153	3153	3153
WP2496B	2625	2916	2916	3012	3012	3012	3012	3012	3012	3012	3375	3375	3375

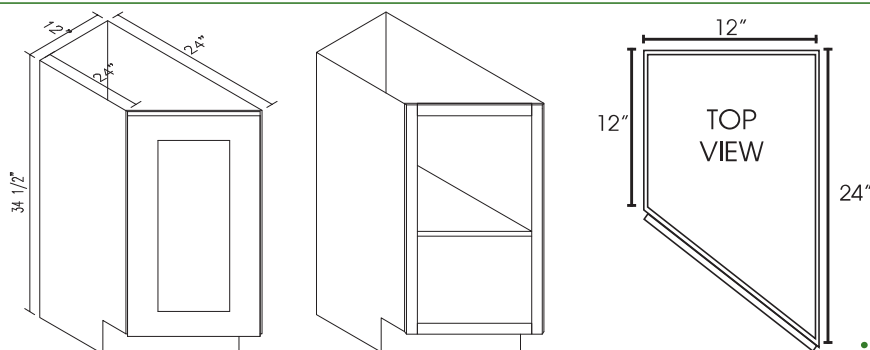
* B = butt door



BASE CABINETS* (CONT.)

Forevermark
cabinetry™

BASE TRANSITIONAL CABINET

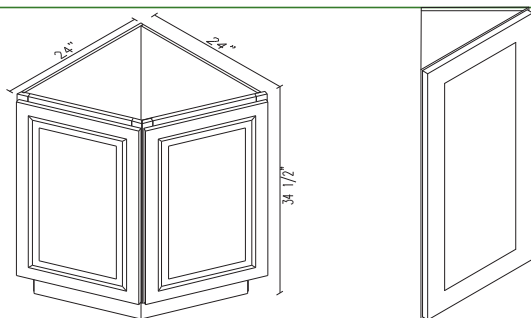


BASE TRANSITIONAL LEFT SHOWN

- 1 door and 1shelf
- Specify left or right when placing order

	VW	AP	AW	AX	AB	SL	GW	TW	TS	AG	AN	TG	TQ
BTC12L	636	705	705	-	726	726	726	726	726	726	816	816	816
BTC12R	636	705	705	-	726	726	726	726	726	726	816	816	816

ANGLE WALL & BASE



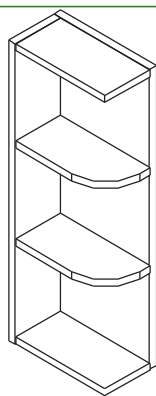
ANGLE BASE

ANGLE WALL

- Door size 17-7/8W X 29-1/4"H
- Both doors are functional

	VW	AP	AW	AX	AB	SL	GW	TW	TS	AG	AN	TG	TQ
AW30	552	612	612	633	633	633	633	633	633	633	711	711	711
AW36	663	735	735	759	759	759	759	759	759	759	852	852	852
AW42	777	861	861	888	888	888	888	888	888	888	996	996	996
AB24 (Base)	1401	1554	1554	1605	1605	1605	1605	1605	1605	1605	1800	1800	1800

WALL END SHELF - WITH OPEN SHELVES



- WESxxx: Top/Bottom panel: square corner, Shelves: round corner
- Reversible L/R by flipping unit accordingly

	VW	AP	AW	AX	AB	SL	GW	TW	TS	AG	AN	TG	TQ
WES530	270	270	270	270	270	270	270	270	270	270	303	303	303
WES536	324	324	324	324	324	324	324	324	324	324	363	363	363
WES542	381	381	381	381	381	381	381	381	381	381	429	429	429

GLASS DOORS



NO MULLION
AG AP AW TW VW
AN TG TS TQ AX



INCLUDES MULLION
TQ TS SL GW
TW AN TG

AP - frosted glass
 VW, AW, SL, GW, TW, TS, AG, AN, TG, TQ, AX - clear glass

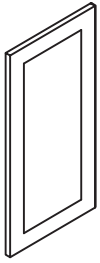
- All glass doors include glass pre-inserted.
- WXXXXGD = No mullion
- WXXXXMGD = With mullion
- Cabinet sold separately

	VW	AP	AW	AX	AB	SL	GW	TW	TS	AG	AN	TG	TQ
W1512GD	-	-	282	-	-	-	-	288	-	288	-	-	-
W1812GD	-	-	348	-	-	-	-	360	-	360	-	-	-
W2412BGD	-	-	480	-	-	-	-	498	-	498	-	-	-
WDC2412GD	-	-	252	-	-	-	-	252	-	252	-	-	-
W3012BGD	486	-	486	-	486	-	-	486	486	486	546	-	546
W1530GD	243	243	243	-	243	-	-	243	243	243	273	273	273
W1530MGD	-	-	-	243	-	243	243	267	267	-	300	300	300
W1830GD	-	321	321	-	321	-	-	321	321	321	360	360	360
W1830MGD	-	-	-	321	-	321	321	354	354	-	399	399	399
W2430BGD	-	-	408	-	-	-	-	-	-	426	459	-	-
W2430BMGD	-	-	-	-	-	426	426	426	426	-	459	504	459
W3030BGD	495	495	495	-	495	-	-	495	495	495	555	555	-
W3030BMGD	-	-	-	495	-	495	495	546	546	-	612	612	612
W3630BGD	729	729	729	-	729	-	-	729	729	729	819	819	819
W3630BMGD	-	-	-	729	-	729	729	-	729	-	903	903	-
WDC2430GD	261	261	261	-	261	-	-	261	261	261	294	294	294
WDC2430MGD	-	-	-	261	-	261	261	288	288	-	324	324	324
W1536GD	288	288	288	-	288	-	-	288	288	288	324	324	324
W1536MGD	-	-	-	288	-	288	288	318	318	-	357	357	357
W1836GD	-	384	384	-	384	-	-	384	384	384	432	432	432
W1836MGD	-	-	-	384	-	384	384	423	423	-	474	474	474
W2436BGD	-	-	474	-	-	-	-	-	-	492	531	-	531
W2436BMGD	-	-	-	-	-	492	492	492	492	-	-	573	573
W3036BGD	561	561	561	-	561	-	-	561	561	561	630	630	630
W3036BMGD	-	-	-	561	-	561	561	618	618	-	693	693	693
W3636BGD	783	783	783	-	783	-	-	783	783	783	879	879	879
W3636BMGD	-	-	-	783	-	783	783	-	783	-	969	969	-
WDC2436GD	312	312	312	-	312	-	-	312	312	312	351	351	351
WDC2436MGD	-	-	-	312	-	312	312	342	342	-	384	384	384
WDC273615GD	-	369	369	-	369	-	-	369	369	369	414	414	414
WDC273615MGD	-	-	-	369	-	369	369	408	408	-	459	459	459
W1542GD	339	339	339	-	339	-	-	339	339	339	381	381	381
W1542MGD	-	-	-	339	-	339	339	372	372	-	417	417	417
W1842GD	-	447	447	-	447	-	-	447	447	447	501	501	501
W1842MGD	-	-	-	447	-	447	447	492	492	-	552	552	552
W2442BGD	-	-	570	-	-	-	-	-	-	597	639	-	639
W2442BMGD	-	-	-	-	-	597	597	597	597	-	-	684	684
W3042BGD	693	693	693	-	693	-	-	693	693	693	777	777	777
W3042BMGD	-	-	-	693	-	693	693	765	765	-	855	855	855
W3642BGD	969	969	969	-	969	-	-	969	969	969	1086	1086	1086
W3642BMGD	-	-	-	969	-	969	969	-	969	-	1197	1197	-
WDC2442GD	366	366	366	-	366	-	-	366	366	366	411	411	411
WDC2442MGD	-	-	-	366	-	366	366	402	402	-	453	453	453
WDC274215GD	-	450	450	-	450	-	-	450	450	450	504	504	504
WDC274215MGD	-	-	-	450	-	450	450	495	495	-	555	555	555

DECOR DOORS & ACCESSORIES



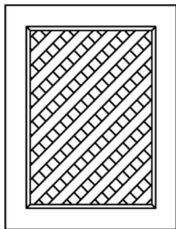
END DECORATIVE DOORS



- EPW = Wall end decorative door
- EPB = Base end decorative door
- EPWP = Wall pantry/tall end decorative door

	VW	AP	AW	AX	AB	SL	GW	TW	TS	AG	AN	TG	TQ
EPW1230D	201	222	222	228	228	228	228	228	228	228	258	258	258
EPW1236D	243	270	270	279	279	279	279	279	279	279	315	315	315
EPW1242D	294	324	324	333	333	333	333	333	333	333	375	375	375
EPB24D	507	561	561	579	579	579	579	579	579	579	651	651	651
EPWP2484D	-	711	711	717	717	717	717	717	717	717	804	804	804
EPWP2490D	-	804	804	807	807	807	807	807	807	807	906	906	906
EPWP2496D	-	900	900	885	885	885	885	885	885	885	993	993	993

LATTICE DOORS

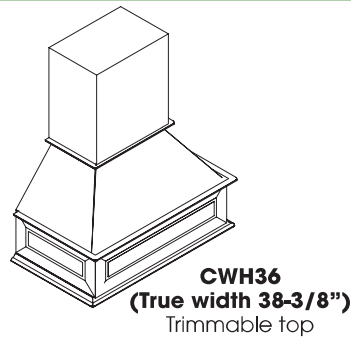
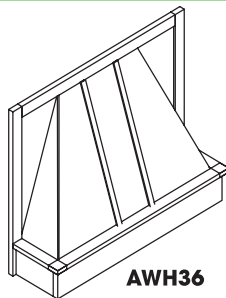


- Lattice doors only (2 pcs per pack) cabinet sold separately.
- Lattice doors option for sink base and base

	VW	AP	AW	AX	AB	SL	GW	TW	TS	AG	AN	TG	TQ
** SB30B-ND-SP	-	-	-	-	-	879	879	879	-	-	-	-	-
** SB33B-ND-SP	-	-	-	-	-	921	921	921	-	-	-	-	-
** SB36B-ND-SP	-	-	-	-	-	966	966	966	-	-	-	-	-

** 30"W to 36"W - all styles with double headers * B = butt door

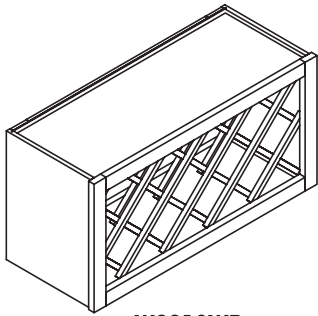
RANGE HOODS



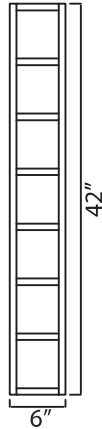
	VW	AP	AW	AX	AB	SL	GW	TW	TS	AG	AN	TG	TQ
AWH36	1536	1536	1536	-	1536	1536	1536	1536	1536	1536	1722	1722	1722
CWH36	-	-	-	-	1827	1827	1827	1827	1827	1827	2049	2049	2049

SPECIAL CABINETS AND ROLL OUT TRAYS

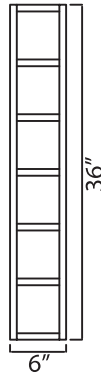
SPECIAL CABINETS



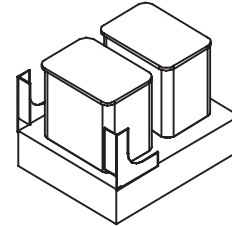
W3018WR
(Wine Rack)



WC6XX
(Wall Cubes)



- WC630 = 6" w x 30" h x 12" d with 5 cubes.
- WC636 = 6" w x 36" h x 12" d with 6 cubes.
- WC642 = 6" w x 42" h x 12" d with 7 cubes.

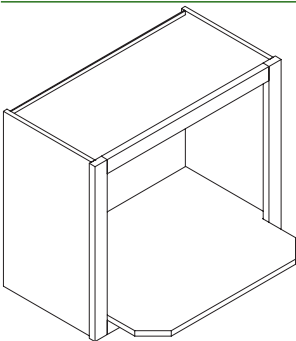


TCR21-2
(Trash Can)

- TCR21-2 fits B18 or B21 (sold separately)
- Full extension, not soft closing
- Includes 2 plastic cans, approx 29qt capacity
- Installation is an additional cost

	VW	AP	AW	AX	AB	SL	GW	TW	TS	AG	AN	TG	TQ
W3018WR	591	591	591	591	591	591	591	591	591	591	663	663	663
TCR21-2	1008	1008	1008	1008	1008	1008	1008	1008	1008	1008	1008	1008	1008
WC630	453	-	453	-	453	-	453	453	453	453	510	510	510
WC636	534	-	534	-	534	-	534	534	534	534	600	600	600
WC642	615	-	615	-	615	-	615	615	615	615	690	690	690

MICROWAVE OVEN



- Cabinet is 30" W x 18"H x 12"D
- Stationary shelf is 18"D
- Opening = 26 7/8"W x 14 1/8"H

	VW	AP	AW	AX	AB	SL	GW	TW	TS	AG	AN	TG	TQ
MWO3018PM-12	501	501	501	501	501	501	501	501	501	501	564	564	564

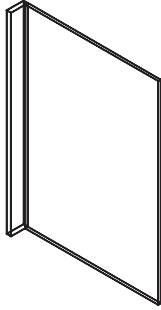
*ROLL OUT TRAY WITH DOVE TAIL DRAWER BOX

- Pre-assembled Dove Tail Drawer and Undermount Full Extension Soft Close Track
- Roll out trays and cabinets sold separately
- Roll out trays installed upon request in assembled cabinets (installation is additional cost)

	VW	AP	AW	AX	AB	SL	GW	TW	TS	AG	AN	TG	TQ
15RT-DR	264	264	264	264	264	264	264	264	264	264	264	264	264
18RT-DR	297	297	297	297	297	297	297	297	297	297	297	297	297
24RT-DR	324	324	324	324	324	324	324	324	324	324	324	324	324
27RT-DR	357	357	357	357	357	357	357	357	357	357	357	357	357
30RT-DR	390	390	390	390	390	390	390	390	390	390	390	390	390
33RT-DR	474	474	474	474	474	474	474	474	474	474	474	474	474
36RT-DR	558	558	558	558	558	558	558	558	558	558	558	558	558

PANELS

DISHWASHER PANELS WITH 3" RETURN



- Edge not finished without 3" return

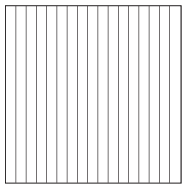
	VW	AP	AW	AX	AB	SL	GW	TW	TS	AG	AN	TG	TQ
DWR33412	240	240	240	240	240	240	240	240	240	240	270	270	270

REFRIGERATOR END PANELS

- **REP24XX** and **REP24XX(3)** have 2 finished edges, usable with or without 3" return
- **REP3096(3)-3/4"** has 1 finished edge, usable with or without 3" return
- (3) = 3"W return

	VW	AP	AW	AX	AB	SL	GW	TW	TS	AG	AN	TG	TQ
REP2484-3/4"	627	627	627	627	627	627	627	627	627	627	705	705	705
REP2496-3/4"	717	717	717	717	717	717	717	717	717	717	804	804	804
REP2484(3)-3/4"	726	726	726	726	726	726	726	726	726	726	816	816	816
REP2496(3)-3/4"	867	867	867	867	867	867	867	867	867	867	972	972	972
REP3096(3)-3/4"	1176	1176	1176	1176	1176	1176	1176	1176	1176	1176	1320	1320	1320

FINISHED BACK PANELS AND BEADED BOARD



BP48

- Finish Back Panel and Beaded Board Panel
- FBP with vertical grain (runs longways, along height)
- FBP489614 = 1/4" thick finish back panel (48"W x 96"H)
- FBP483614 = 1/4" thick finish back panel (48"W x 36"H)
- FBP369614 = 1/4" thick finish back panel (36"W x 96"H)
- BP48341214 = 1/4" thick bead board panel (48"W x 34 1/2"H)
- Finished on 1-side

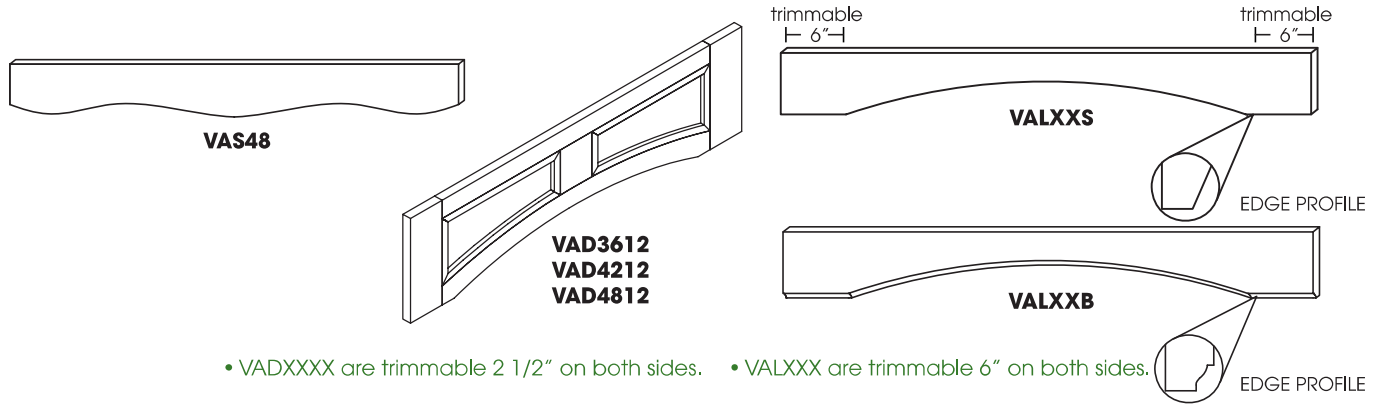
	VW	AP	AW	AX	AB	SL	GW	TW	TS	AG	AN	TG	TQ
FBP483614(1)	285	285	285	285	285	285	285	285	285	285	321	321	321
FBP369614(1)	480	480	480	480	480	480	480	480	480	480	540	540	540
FBP489614(1)	507	507	507	507	507	507	507	507	507	507	570	570	570
BP48341214	477	477	477	477	477	477	477	477	477	477	537	537	537

TOE KICK

	VW	AP	AW	AX	AB	SL	GW	TW	TS	AG	AN	TG	TQ
TK8	147	147	147	147	147	147	147	147	147	147	165	165	165

TRIM DETAILS

VALANCES

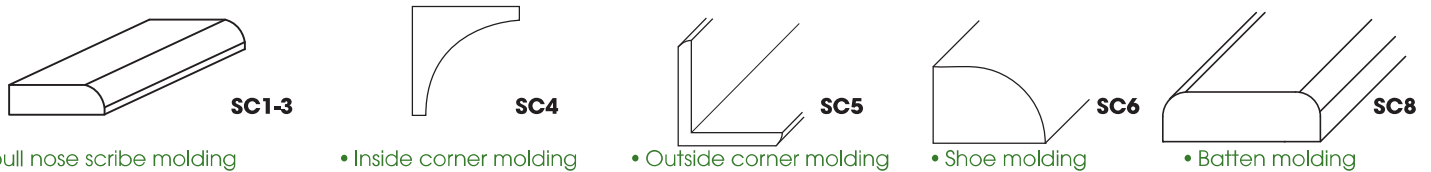


• VADXXX are trimmable 2 1/2" on both sides. • VALXXX are trimmable 6" on both sides.

Item photos on pg. 58

	VW	AP	AW	AX	AB	SL	GW	TW	TS	AG	AN	TG	TQ
VAS48	126	126	126	126	-	126	-	-	-	-	-	-	-
VAD3612	345	345	345	345	-	345	345	-	-	-	-	-	390
VAD4212	435	435	435	435	-	435	435	-	-	-	-	-	492
VAD4812	546	546	546	546	-	546	546	-	-	-	-	-	618
VAL48B	-	-	-	-	-	339	339	339	-	-	-	381	381
VAL54B	-	-	-	-	-	369	369	369	-	-	-	414	414
VAL48S	267	267	267	-	339	-	-	-	339	339	381	-	-
VAL54S	297	297	297	-	369	-	-	-	369	369	414	-	-

CORNER MOLDINGS



• bull nose scribe molding

• Inside corner molding

• Outside corner molding

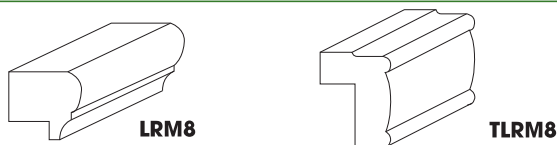
• Shoe molding

• Batten molding

Item photos on pg. 60

	VW	AP	AW	AX	AB	SL	GW	TW	TS	AG	AN	TG	TG
SC1-3 (SM)	60	60	60	60	60	60	60	60	60	60	69	69	69
SC4 (ICM)	87	87	87	87	87	87	87	87	87	87	99	99	99
SC5 (OCM)	84	84	84	84	84	84	84	84	84	84	96	96	96
SC6 (SM)	96	-	96	-	96	96	96	96	96	96	111	111	111
SC8 (BM)	90	-	90	-	90	90	90	90	90	90	105	105	105

LIGHT RAIL MOLDINGS



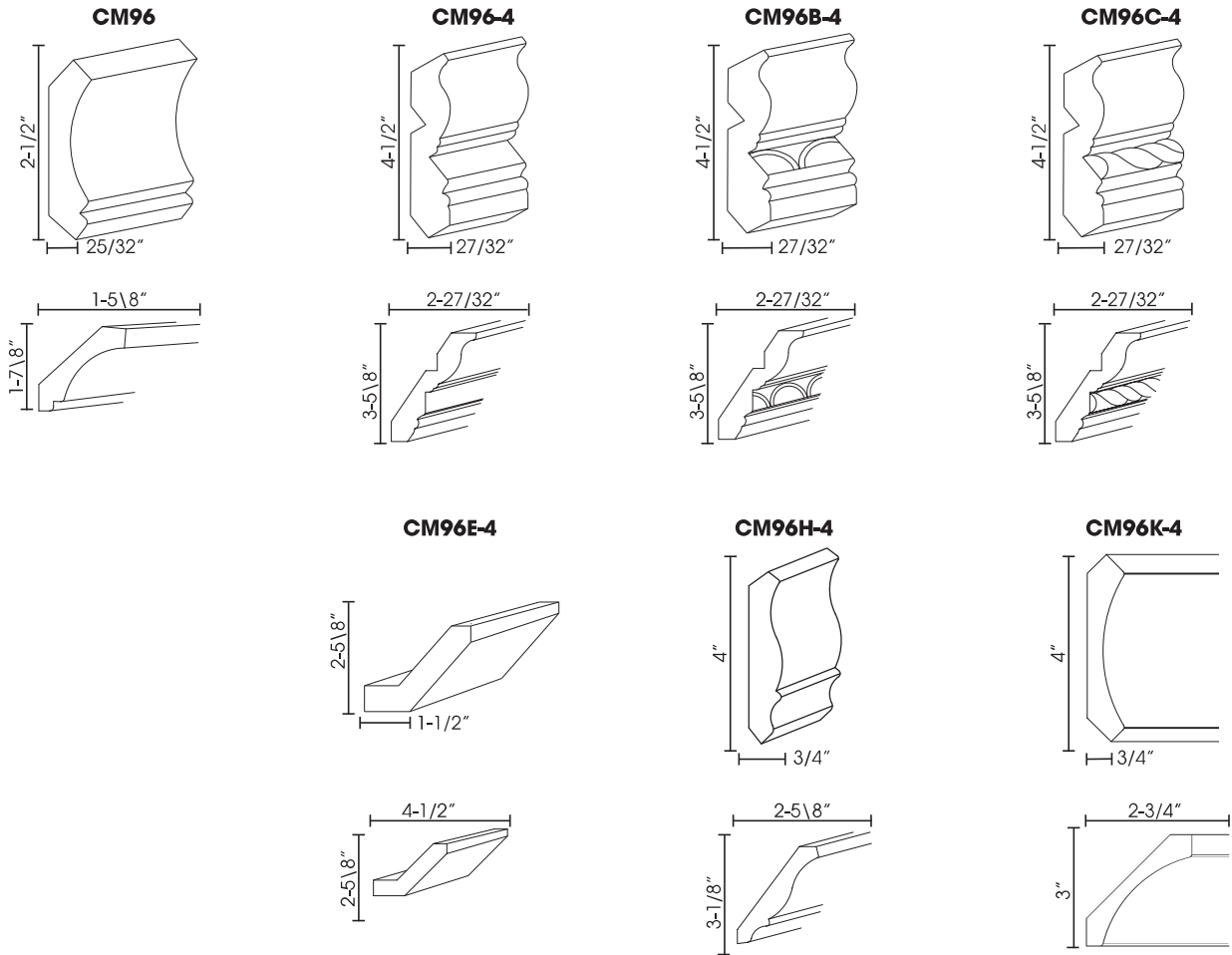
Item photos on pg. 60

	VW	AP	AW	AX	AB	SL	GW	TW	TS	AG	AN	TG	TQ
LRM8	243	243	243	243	243	243	243	243	243	243	273	273	273
TLRM8	594	594	594	594	594	594	594	594	594	594	666	666	666



TRIM DETAILS (CONT.)

CROWN MOLDINGS

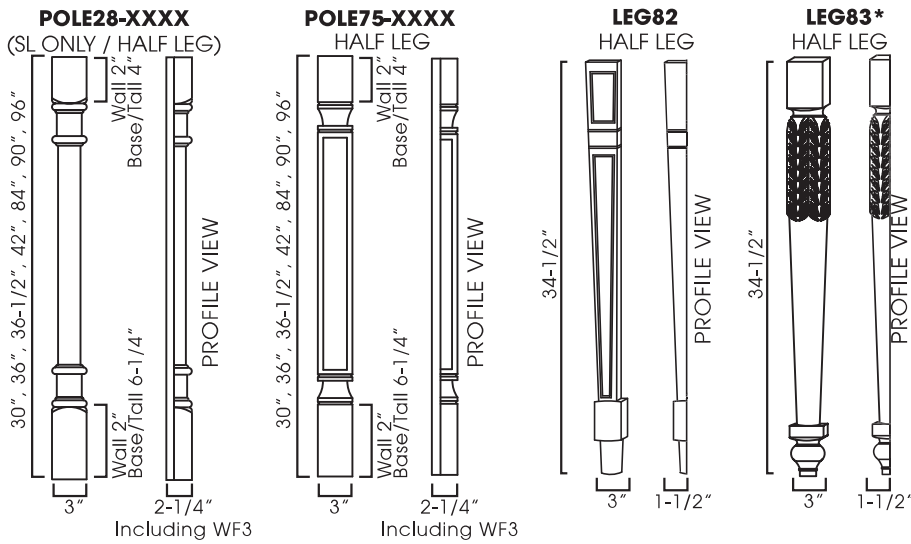


- Measurements are approximate projections.
- CM96B-4 = crown molding with egg and dart detail (Rope detail fastened to molding.)
- CM96C-4 = crown molding with rope detail (Rope detail fastened to molding.)
- CM96E-4 = crown molding is straight
- CM96K-4 = crown molding with large cove detail
- Molding details applied. No installation required.

Item photos on pg. 58

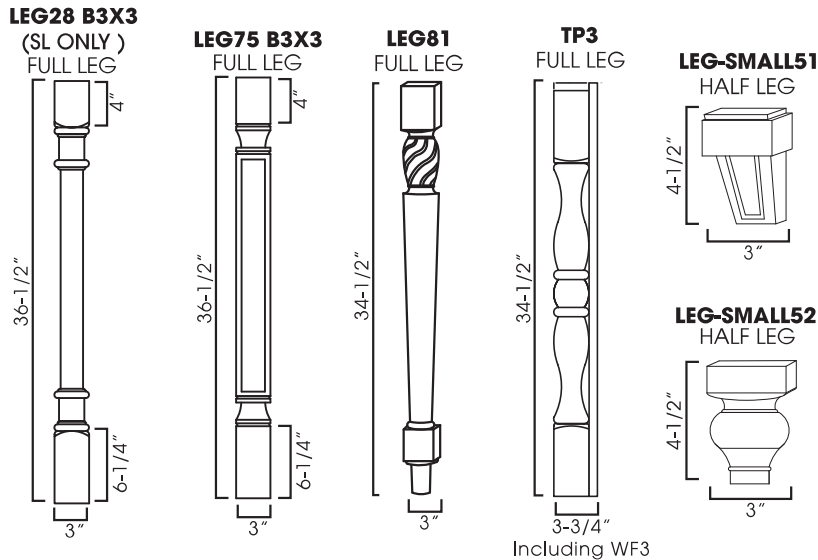
	VW	AP	AW	AX	AB	SL	GW	TW	TS	AG	AN	TG	TQ
CM96	222	222	222	222	222	222	222	222	222	222	249	249	249
CM96-4	357	357	357	357	357	357	357	357	-	-	-	-	405
CM96B-4	-	-	-	-	-	489	-	-	-	-	-	-	-
CM96C-4	-	-	-	489	-	489	489	489	-	-	-	-	-
CM96E-4	468	468	468	-	-	-	468	468	-	-	-	-	-
CM96H-4	357	357	357	-	357	357	357	357	357	357	402	402	402
CM96K-4	420	420	420	-	420	-	420	420	420	420	471	471	-

DÉCOR LEGS AND PILASTERS



- **POLE28-B3** = Half leg 3" w x 36-1/2" h x 2-1/4" d including WF3 (trimmable), SL ONLY
- **POLE28-WXXX** = Half leg 3" w x 30" h, 36" h, 42" h x 2-1/4" d including WF3, SL ONLY
- **POLE28-TXXX** = Half tall leg 3" w x 84" h, 90" h, 96" h x 2-1/4" d including WF3 (trimmable), SL ONLY
- **POLE75-B3** = Half leg 3" w x 36-1/2" h x 2-1/4" d including WF3 (trimmable),
- **POLE75-WXXX** = Half leg 3" w x 30" h, 36" h, 42" h x 2-1/4" d including WF3,
- **POLE75-TXXX** = Half tall leg 3" w x 84" h, 90" h, 96" h x 2-1/4" d including WF3 (trimmable),

- **LEG82** = Half leg 3" w x 34-1/2" h x 1-1/2" d
- **LEG83*** = Half leg 3" w x 34-1/2" h x 1-1/2" d
- **LEG28** = Full leg 3" w x 36-1/2" h x 3" d (trimmable), SL ONLY
- **LEG75** = Full leg 3" w x 36-1/2" h x 3" d (trimmable),
- **LEG81** = Full leg 3" w x 34-1/2" h x 3" d
- **TP3/WF34-1/2** = Full leg 3" w x 34-1/2" h x 3" d with wall filler 3" w x 34-1/2" h x 3/4" d
- **LEG-SMALL51** = Half leg 3" w x 4-1/2" h x 1-1/2" d
- **LEG-SMALL52** = Half leg 3" w x 4-1/2" h x 1-1/2" d



Item photos on pg. 59

	VW	AP	AW	AX	AB	SL	GW	TW	TS	AG	AN	TG	TQ
TP3/WF34-1/2"	621	621	621	621	-	621	621	621	-	-	-	-	705
LEG28 B3x3	-	-	-	-	-	750	-	-	-	-	-	-	849
LEG75 B3x3	750	-	750	-	750	-	750	750	750	750	840	840	840
LEG81	525	525	525	525	-	525	525	525	-	-	-	-	594
LEG82	498	498	498	498	-	-	-	-	-	-	-	-	-
LEG83*	582	-	-	-	-	582	582	582	-	-	-	-	660
LEG-SMALL51	-	-	-	102	-	-	-	-	-	-	-	-	-
LEG-SMALL52	-	-	-	123	-	-	-	-	-	-	-	-	-
POLE28-B3	-	-	-	-	-	681	-	-	-	-	-	-	771
POLE28-W330	-	-	-	-	-	378	-	-	-	-	-	-	429
POLE28-W336	-	-	-	-	-	417	-	-	-	-	-	-	474
POLE28-W342	-	-	-	-	-	480	-	-	-	-	-	-	543
POLE28-T384	-	-	-	-	-	825	-	-	-	-	-	-	-
POLE28-T390	-	-	-	-	-	873	-	-	-	-	-	-	-
POLE28-T396	-	-	-	-	-	924	-	-	-	-	-	-	-

FILLERS

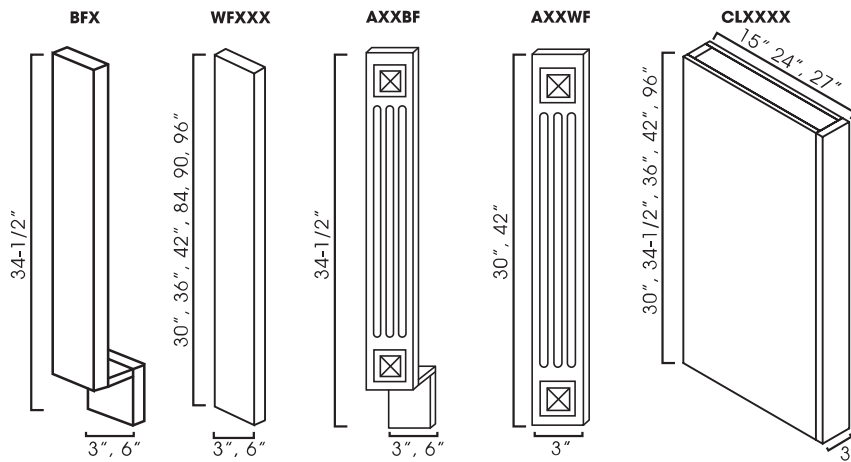
DÉCOR LEGS (CONTINUED)



Forevermark
cabinetry™

	VW	AP	AW	AX	AB	SL	GW	TW	TS	AG	AN	TG	TQ
POLE75-B3	681	-	681	-	681	-	681	681	681	681	765	765	765
POLE75-W330	378	-	378	-	378	-	378	378	378	378	426	426	426
POLE75-W336	417	-	417	-	417	-	417	417	417	417	468	468	468
POLE75-W342	480	-	480	-	480	-	480	480	480	480	540	540	540
POLE75-T384	825	-	825	-	825	-	825	825	825	825	924	924	924
POLE75-T390	873	-	873	-	873	-	873	873	873	873	978	978	978
POLE75-T396	924	-	924	-	924	-	924	924	924	924	1035	1035	1035

WALL & BASE FILLERS AND BOXED COLUMNS



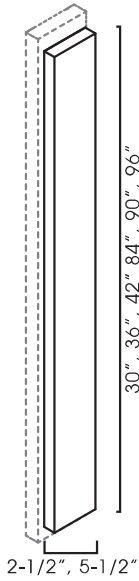
- BF3 = Base filler 3" w x 34-1/2" H x 3/4" d
- BF6 = Base filler 6" w x 34-1/2" H x 3/4" d
- WF3XX = Wall filler 3" w x 30" h, 36" h, 42" h, 84" h, 90" h, 96" h x 3/4" d
- WF6XX = Wall filler 6" w x 30" h, 36", 42" h x 3/4" d
- A3BF = Decorative base filler, Fluted with beveled square, 3" w x 34-1/2" h x 3/4" d
- A6BF = Decorative base filler, Fluted with beveled square, 6" w x 34-1/2" h x 3/4" d
- AxxWF = Decorative wall filler, Fluted with beveled square, 3" w x 30" h, 36" h, 42" h x 3/4" d
- CLB334-1/2 = Column box base, 3" w x 34-1/2" h x 24" d
- CLWxxx = Column wall, 3" w x 30" h x 36" h x 42" h, x 15" d (Boxed columns can be used as floating shelves)
- CLW396 = Column tall, 3" w x 96" h x 27" d (*CLW396 is trimmable to custom height)
- Fillers are 3/4" thick and finished on all sides and edges.

Boxed columns can be used as floating shelves

	VW	AP	AW	AX	AB	SL	GW	TW	TS	AG	AN	TG	TQ
WF3-3/4	66	66	66	66	66	66	66	66	66	66	75	75	75
WF336-3/4	81	81	81	81	81	81	81	81	81	81	93	93	93
WF342-3/4	102	102	102	102	102	102	102	102	102	102	117	117	117
WF384-3/4	189	189	189	189	189	189	189	189	189	189	213	213	213
WF396-3/4	222	222	222	222	222	222	222	222	222	222	249	249	249
WF6-3/4	135	135	135	135	135	135	135	135	135	135	153	153	153
WF642-3/4	198	198	198	198	198	198	198	198	198	198	222	222	222
WF696-3/4	435	435	435	435	435	435	435	435	435	435	489	489	489
BF3-3/4	108	108	108	108	108	108	108	108	108	108	123	123	123
BF6-3/4	183	183	183	183	183	183	183	183	183	183	207	207	207
A30WF	108	108	108	108	-	108	108	108	-	-	-	-	123
A36WF	135	135	135	135	-	135	135	135	-	-	-	-	153
A42WF	153	153	153	153	-	153	153	153	-	-	-	-	174
A3BF	147	147	147	147	-	147	147	147	-	-	-	-	168
A6BF	306	306	306	306	-	306	306	306	-	-	-	-	348
CLB334-1/2	510	-	510	-	510	510	510	510	510	510	573	573	573
CLW330	330	-	330	-	330	330	330	330	330	330	372	372	372
CLW336	393	-	393	-	393	393	393	393	393	393	441	441	441
CLW342	459	-	459	-	459	459	459	459	459	459	516	516	516
CLW396	1530	-	1530	-	1530	1530	1530	1530	1530	1530	1716	1716	1716

TRIM DETAILS (CONT.)

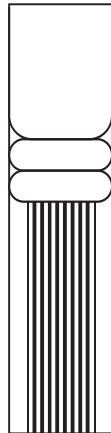
OVERLAY FILLERS



- 3/4" Solid wood
- Outer profile matches door style
- Mounted to wall filler, base filler, or column boxes. Fillers sold separately.
- OLF330 = Actual size 2-1/2"w x 29-1/4"h x 3/4"d
- OLF336 = Actual size 2-1/2"w x 35-1/4"h x 3/4"d
- OLF342 = Actual size 2-1/2"w x 41-1/4"h x 3/4"d
- OLF630 = Actual size 5-1/2"w x 29-1/4"h x 3/4"d
- OLF636 = Actual size 5-1/2"w x 35-1/4"h x 3/4"d
- OLF642 = Actual size 5-1/2"w x 41-1/4"h x 3/4"d
- OLF384 = Actual size 2-1/2"w x 78-3/4"h x 3/4"d
- OLF390 = Actual size 2-1/2"w x 84-3/4"h x 3/4"d
- OLF396 = Actual size 2-1/2"w x 90-3/4"h x 3/4"d

	VW	AP	AW	AX	AB	SL	GW	TW	TS	AG	AN	TG	TQ
OLF330	66	-	66	-	66	66	66	66	66	66	75	75	75
OLF336	81	-	81	-	81	81	81	81	81	81	93	93	93
OLF342	102	-	102	-	102	102	102	102	102	102	117	117	117
OLF630	123	-	123	-	123	123	123	123	123	123	138	138	138
OLF636	162	-	162	-	162	162	162	162	162	162	183	183	183
OLF642	180	-	180	-	180	180	180	180	180	180	204	204	204
OLF384	285	-	285	-	285	285	285	285	285	285	321	321	321
OLF390	339	-	339	-	339	339	339	339	339	339	381	381	381
OLF396	387	-	387	-	387	387	387	387	387	387	435	435	435

TRIMMABLE PILASTER

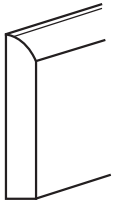


- Solid wood
- Trimmable to different length & depth

	VW	AP	AW	AX	AB	SL	GW	TW	TS	AG	AN	TG	TQ
CFC96	-	-	-	-	-	930	-	-	-	-	-	-	-

TRIM DETAILS (CONT.)

BASE BOARD MOLDING

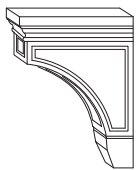


• No glaze line on TQ

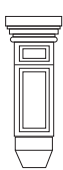
Item photos on pg. 60

	VW	AP	AW	AX	AB	SL	GW	TW	TS	AG	AN	TG	TQ
BM4-1/2"-5/8"	348	348	348	348	348	348	348	348	348	348	390	390	390

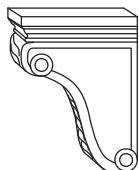
CORBELS & APPLIQUES



SMALL: CORBEL 54
LARGE: CORBEL 59
Raised Center



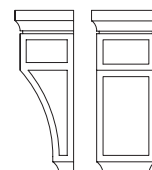
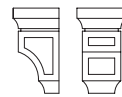
CORBEL 55
CORBEL 58



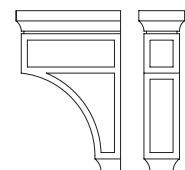
CORBEL 56
CORBEL 57



SMALL
CORBEL 75S
Recessed
Center

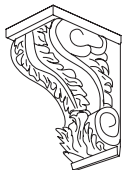


MEDIUM
CORBEL 75M
Recessed
Center



LARGE
CORBEL 75L
Recessed
Center

- CORBEL 54, 55, 56 Small = 3" w x 6" h x 4" d
- CORBEL 57, 58, 59 Large = 3" w x 9" h x 6" d
- CORBEL60S Small = 5" w x 10" h x 5" d
- CORBEL60L Large = 7" w x 17" h x 7" d
- CORBEL75S Small = 3-3/4" w x 6-1/2" h x 3-1/2" d
- CORBEL75M Medium = 5-1/4" w x 12-1/2" h x 4-1/2" d
- CORBEL75L Large = 3-1/2" w x 12-1/2" h x 8" d



CORBEL 60S
CORBEL 60L



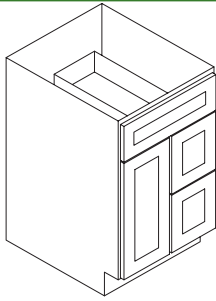
DOA

Item photos on pg. 60

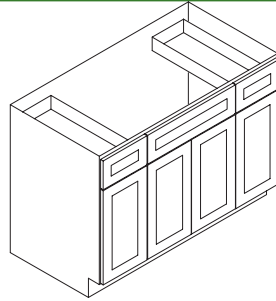
	VW	AP	AW	AX	AB	SL	GW	TW	TS	AG	AN	TG	TQ
DOA	-	609	-	609	-	609	-	-	-	-	-	-	-
CORBEL54	-	-	-	258	-	-	-	-	-	-	-	-	-
CORBEL55	-	-	-	339	-	-	-	-	-	-	-	-	-
CORBEL56	381	-	-	381	-	381	381	381	-	-	-	-	432
CORBEL57	594	-	-	594	-	594	594	594	-	-	-	-	672
CORBEL58	-	513	-	513	-	-	-	-	-	-	-	-	-
CORBEL59	285	285	285	285	285	-	285	285	285	285	321	321	321
CORBEL60S	540	-	-	540	540	540	540	540	-	-	-	-	540
CORBEL60L	-	-	-	1170	-	1170	-	-	-	-	-	-	-
CORBEL75S	477	-	477	-	477	-	477	477	477	477	537	537	537
CORBEL75M	651	-	651	-	651	-	651	651	651	651	732	732	732
CORBEL75L	690	-	690	-	690	-	690	690	690	690	774	774	774

VANITIES

VANITIES - WITH DRAWERS



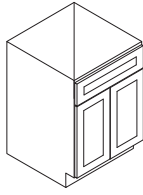
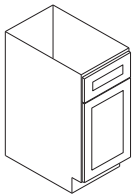
S3021DR



S4821B

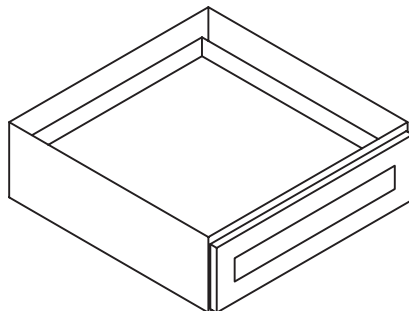
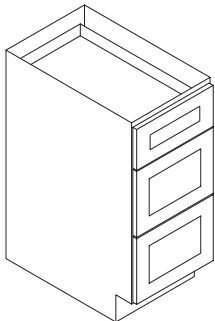
	VW	AP	AW	AX	AB	SL	GW	TW	TS	AG	AN	TG	TQ
S3021DL-34-1/2"	-	1311	1311	1341	1341	1341	1341	1341	1341	1341	1503	1503	1503
S3021DR-34-1/2"	-	1311	1311	1341	1341	1341	1341	1341	1341	1341	1503	1503	1503
S3621BDL-34-1/2"	-	1494	1494	1536	1536	1536	1536	1536	1536	1536	1722	1722	1722
S3621BDR-34-1/2"	-	1494	1494	1536	1536	1536	1536	1536	1536	1536	1722	1722	1722
S4821B12D-34-1/2"	-	2013	2013	-	2097	2097	2097	2097	2097	2097	2349	2349	2349

VANITIES - WITH DRAWERS



	VW	AP	AW	AX	AB	SL	GW	TW	TS	AG	AN	TG	TQ
S2421B-34-1/2"	-	726	726	750	750	750	750	750	750	750	840	840	840
S3021B-34-1/2"	-	921	921	945	945	945	945	945	945	945	1059	1059	1059
S3621B-34-1/2"	-	1104	1104	1140	1140	1140	1140	1140	1140	1140	1278	1278	1278

* B = buff door



- SVB = Vanity drawer pack 34"H x 24"D
- SVDU = Desk drawer 30"W x 20"D

	VW	AP	AW	AX	AB	SL	GW	TW	TS	AG	AN	TG	TQ
SVB1221-34-1/2"	-	1386	1386	1428	1428	1428	1428	1428	1428	1428	1602	1602	1602
SVB1521-34-1/2"	-	1449	1449	1494	1494	1494	1494	1494	1494	1494	1674	1674	1674
SVDU3021-7"	-	402	402	408	408	408	408	408	408	408	459	459	459

*Subject to Change without notice; TSG not responsible for printing errors; or discontinued items*Please refer to "Spec sheet page" for detailed specifications

